

FIG. 1

100 (0)	$Y_0Cr_0Cb_0$	$Y_1$	$Y_2Cr_1Cb_1$	$Y_3$	$Y_4Cr_2Cb_2$	$Y_5$	$\dots$	$Y_{x-1}Cr_{(x-1)/2}Cb_{(x-1)/2}$	$Y_x$
100 (1)	$Y_0Cr_0Cb_0$	$Y_1$	$Y_2Cr_1Cb_1$	$Y_3$	$Y_4Cr_2Cb_2$	$Y_5$	$\dots$	$Y_{x-1}Cr_{(x-1)/2}Cb_{(x-1)/2}$	$Y_x$
100 (2)	$Y_0Cr_0Cb_0$	$Y_1$	$Y_2Cr_1Cb_1$	$Y_3$	$Y_4Cr_2Cb_2$	$Y_5$	$\dots$	$Y_{x-1}Cr_{(x-1)/2}Cb_{(x-1)/2}$	$Y_x$
100 (3)	$Y_0Cr_0Cb_0$	$Y_1$	$Y_2Cr_1Cb_1$	$Y_3$	$Y_4Cr_2Cb_2$	$Y_5$	$\dots$	$Y_{x-1}Cr_{(x-1)/2}Cb_{(x-1)/2}$	$Y_x$
:									
:									
100 (N)	$Y_0Cr_0Cb_0$	$Y_1$	$Y_2Cr_1Cb_1$	$Y_3$	$Y_4Cr_2Cb_2$	$Y_5$	$\dots$	$Y_{x-1}Cr_{(x-1)/2}Cb_{(x-1)/2}$	$Y_x$

**FIGURE 2**

48Y(0)	$Y_0, Y_1, Y_2, \dots, Y_{15}$
48Y(1)	$Y_{16}, Y_{17}, Y_{18}, \dots, Y_{31}$
:	
48Y(i)	$Y_{16i}, Y_{16i+1}, Y_{16i+2}, \dots, Y_{16i+15}$
:	

48Y

48C(0)	$Cr_0, Cb_0, Cr_1, Cb_1, \dots, Cr_7, Cb_7$
48C(0)	$Cr_8, Cb_8, Cr_9, Cb_9, \dots, Cr_{15}, Cb_{15}$
:	
48C(i)	$Cr_{8i}, Cb_{8i}, Cr_{8i+1}, Cb_{8i+1}, \dots, Cr_{8i+7}, Cb_{8i+7}$
:	

48C

**FIGURE 3A**

$$U_i \Rightarrow \boxed{Y_{2i}Cr_iCb_i \quad Y_{2i+1}}$$

48(0)	$U_0, U_1, U_2, U_3$
48(1)	$U_4, U_5, U_6, U_7$
48(2)	$U_8, U_9, U_{10}, U_{11}$
:	
48(i)	$U_{4i}, U_{4i+1}, U_{4i+2}, U_{4i+3}$

**FIGURE 3B**

48Y(0)	$Y_0, Y_1, Y_2, \dots, Y_{15}$
48Y(1)	$Y_{16}, Y_{17}, Y_{18}, \dots, Y_{31}$
:	
48Y(i)	$Y_{16i}, Y_{16i+1}, Y_{16i+2}, \dots, Y_{16i+15}$
:	

48Y

48R(0)	$Cr, Cr, \dots, Cr$
:	
48R(i)	$Cr, Cr, \dots, Cr$
:	

48CR

48R(0)	$Cr, Cr, \dots, Cr$
:	
48R(i)	$Cr, Cr, \dots, Cr$
:	

48CB

**FIGURE 3C**

$b_{0...7}$	$b_{8...15}$	$b_{16...23}$	$b_{24...31}$	$b_{32...39}$	$b_{40...47}$	$b_{48...55}$	$b_{56...63}$	$b_{64...71}$	$b_{72...79}$	$b_{80...87}$	$b_{88...95}$	$b_{96...103}$	$b_{104...111}$	$b_{112...119}$	$b_{120...127}$
<b>Cb</b>	<b>Y<sub>0</sub></b>	<b>Cr</b>	<b>Y<sub>1</sub></b>	<b>Cb</b>	<b>Y<sub>0</sub></b>	<b>Cr</b>	<b>Y<sub>1</sub></b>	<b>Cb</b>	<b>Y<sub>0</sub></b>	<b>Cr</b>	<b>Y<sub>1</sub></b>	<b>Cb</b>	<b>Y<sub>0</sub></b>	<b>Cr</b>	<b>Y<sub>1</sub></b>
$U_{4i}$															
$U_{4i+1}$															
$U_{4i+2}$															
$U_{4i+3}$															

**FIGURE 4A**

$b_{127...120}$	$b_{119...112}$	$b_{111...104}$	$b_{103...96}$	$b_{95...88}$	$b_{87...80}$	$b_{79...72}$	$b_{71...64}$	$b_{63...56}$	$b_{55...48}$	$b_{47...40}$	$b_{39...32}$	$b_{31...24}$	$b_{23...16}$	$b_{15...8}$	$b_{7...0}$
<b>Cb</b>	<b>Y<sub>0</sub></b>	<b>Cr</b>	<b>Y<sub>1</sub></b>	<b>Cb</b>	<b>Y<sub>0</sub></b>	<b>Cr</b>	<b>Y<sub>1</sub></b>	<b>Cb</b>	<b>Y<sub>0</sub></b>	<b>Cr</b>	<b>Y<sub>1</sub></b>	<b>Cb</b>	<b>Y<sub>0</sub></b>	<b>Cr</b>	<b>Y<sub>1</sub></b>
$U_{4i}$															
$U_{4i+1}$															
$U_{4i+2}$															
$U_{4i+3}$															

**FIGURE 4B**

$b_{0...7}$	$b_{8...15}$	$b_{16...23}$	$b_{24...31}$	$b_{32...39}$	$b_{40...47}$	$b_{48...55}$	$b_{56...63}$	$b_{64...71}$	$b_{72...79}$	$b_{80...87}$	$b_{88...95}$	$b_{96...103}$	$b_{104...111}$	$b_{112...119}$	$b_{120...127}$
$Y_{16i}$	$Y_{16i+1}$	$Y_{16i+2}$	$Y_{16i+3}$	$Y_{16i+4}$	$Y_{16i+5}$	$Y_{16i+6}$	$Y_{16i+7}$	$Y_{16i+8}$	$Y_{16i+9}$	$Y_{16i+10}$	$Y_{16i+11}$	$Y_{16i+12}$	$Y_{16i+13}$	$Y_{16i+14}$	$Y_{16i+15}$
$U_{4i}$				$U_{4i+1}$				$U_{4i+2}$				$U_{4i+3}$			

**FIGURE 5**

FIG. 6

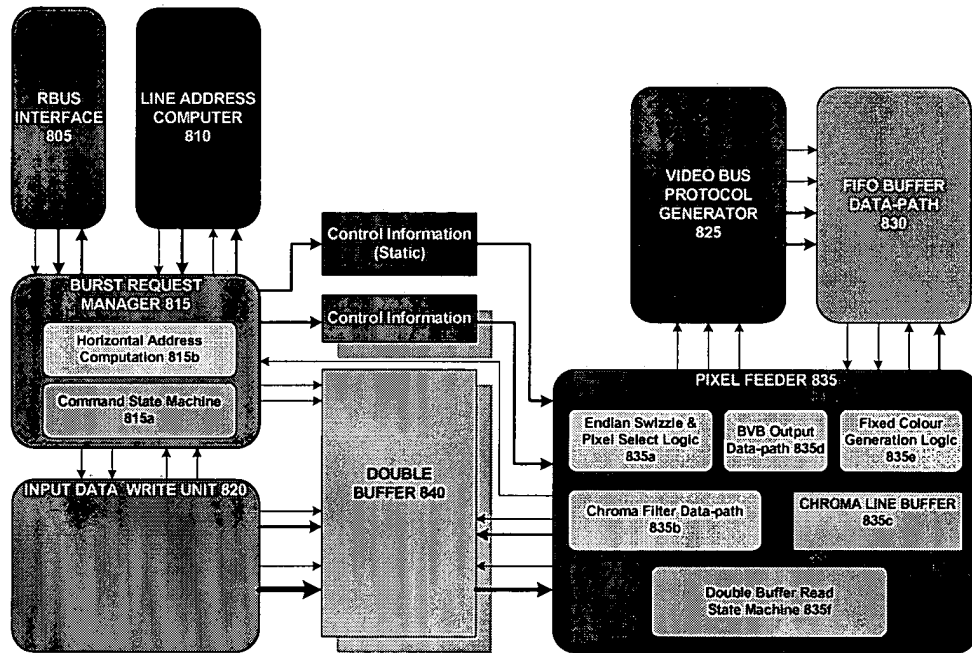
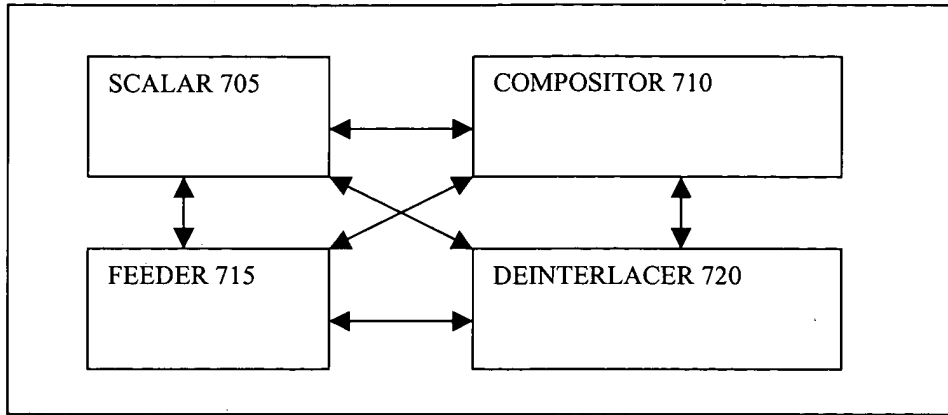


FIGURE 7

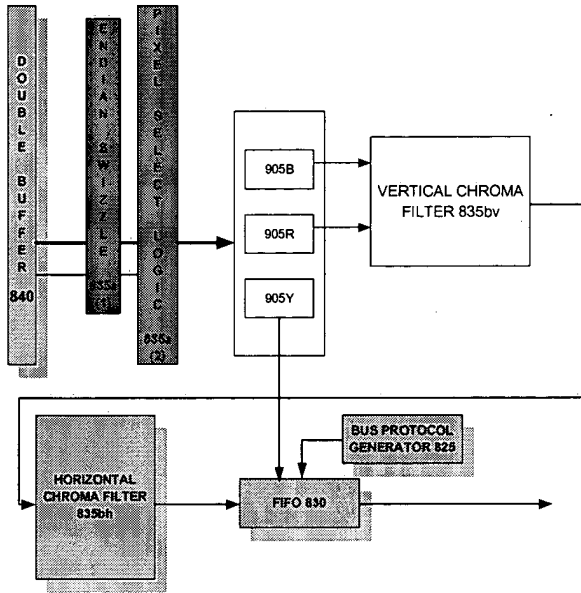
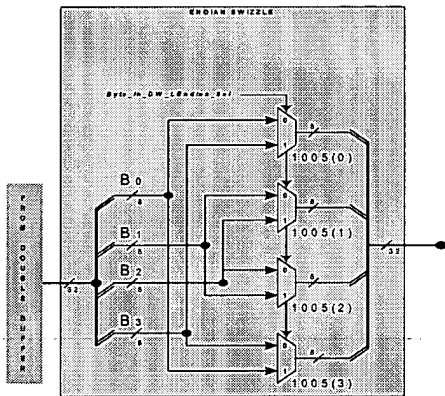
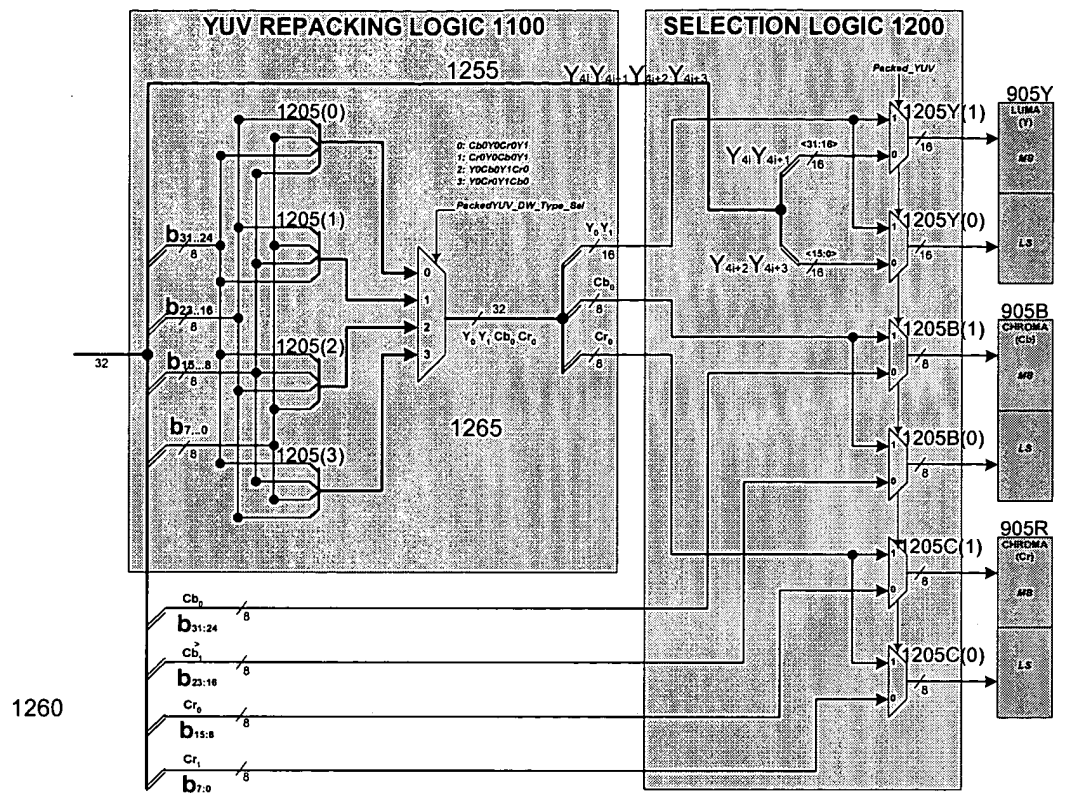


FIGURE 8



Endian Swizzle 835a(1)

FIGURE 9



PIXEL SELECTION LOGIC  
835a(2)

FIGURE 10